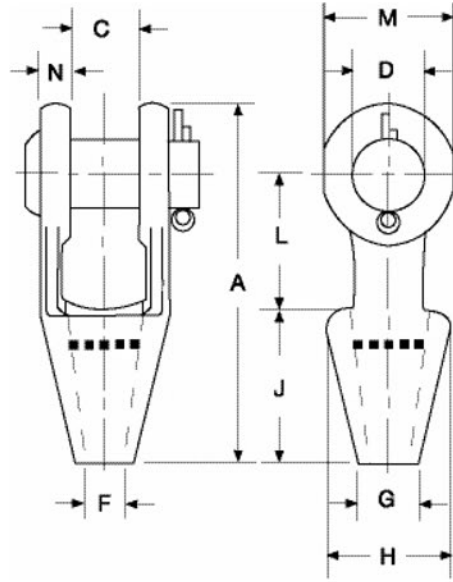


OPEN SPELTER SOCKETS



Rope Dia. (mm)	Structural Strand Dia. (mm)	Weight Each (kg)	Dimensions (mm)									
			A	C	D	F	G	H	J	L	M	N
6-7	-	0.50	116	19.1	17.5	9.65	17.5	39.6	57.0	39.6	33.3	9.10
8-10	-	0.59	123	20.6	20.6	12.7	20.6	42.9	57.0	44.5	38.1	11.2
11-13	-	1.02	141	25.4	25.4	14.2	23.9	47.8	63.5	51.0	47.8	12.7
14-16	12-13	1.63	171	31.8	30.2	17.5	28.7	57.0	76.0	63.5	57.0	14.2
18	14-16	2.64	202	38.1	35.1	20.6	31.8	66.5	89.0	76.0	66.5	15.7
20-22	18-19	4.38	235	44.5	41.4	23.9	38.1	82.5	102	89.0	79.5	20.3
24-26	20-22	7.03	268	51.0	51.0	28.7	44.5	95.5	114	102	95.5	22.4
28-30	24-26	9.75	300	57.0	57.0	31.8	51.0	105	127	117	105	25.4
32-35	28	14.1	335	63.5	63.5	38.1	57.0	121	140	127	121	28.7
38	30-32	21.4	384	76.0	70.0	41.4	70.0	133	152	152	137	30.2
*40-42	33-35	24.9	413	76.0	76.0	44.5	76.0	140	165	165	146	33.3
*44-48	36-40	37.2	464	89.0	89.0	51.0	79.5	162	191	178	165	39.6
*50-54	42-45	59	546	102	95.5	57.0	95.5	187	216	229	178	46.0
*56-60	46-48	76	597	114	108	63.5	102	210	229	254	197	54.0
*64-67	50-54	114	648	127	121	73.0	114	235	248	274	216	60.5
*70-73	56-62	143	692	133	127	79.0	124	267	279	279	229	73.0
*75-80	64-67	172	737	146	133	86.0	133	282	305	287	241	76.0
*82-86	70-73	197	784	159	140	92.0	146	302	330	300	254	79.0
*88-92	76-80	225	845	171	152	98.5	165	314	356	318	274	82.5
*94-102	-	355	921	191	178	108	184	346	381	343	318	89.0

* Cast Alloy Steel



PT. Franklin Offshore Indonesia Perkasa
Tel +62 542 743 668 sales@franklinindonesia.com